

X37 Positioning System Camera CES-PH-23413

Main Features



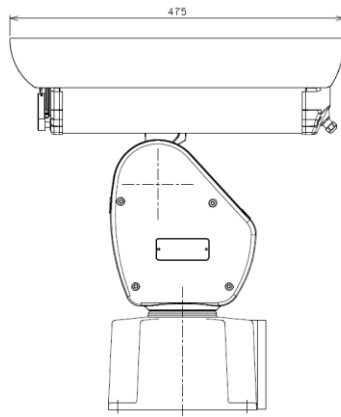
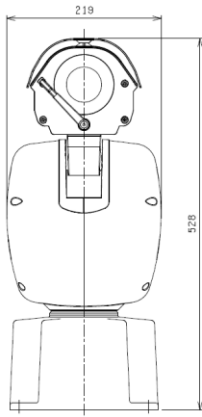
- 光学37倍ズームレンズ (AutoFocus)
- ワイドダイナミックレンジ機能内蔵
- Min.Pan/Tilt 速度: 0.025° /sec
- Max.Pan/Tilt 速度: 120° /sec
- 最低被写体照度 0.00004LUX (Sens-up時)
- プリセットポジション最大319ポイント
- 多様な制御プロトコルをサポート
- 屋外仕様 IP66
- Wiper/Fan/Heater標準搭載

Spec

Signal	NTSC
Image Sensor	1/4" Super HAD Color CCD
Lens	x37 Optical Zoom with Auto Focus (x16 Digital Zoom)
Angle of View	55.5°~1.59°, V: 42.5°~1.19° (f=3.5 ~ 129.5mm; F1.6~F3.9)
Total Pixel	410K
Effective Pixel	768(H) x 494(V)
Horizontal Resolution	600TVL Line (Color) / 700TVL Line (B/W)
Scanning System	2:1 Interlace
Scanning Frequency	15.734KHz(H), 59.94Hz(V)
S/N	52dB
Video Output Signal	VBS 1.0Vp-p Composite, 75Ω
Communication Protocol	RS-485 / 422 (2400~19200 bps), Pelco Coaxitron Automatic, Convex, Samsung-T/E, Pelco-D/P, AD, Bosch, GE, Honeywell, Panasonic, Vicon, Dongyang, Band
On Screen Display	English, Spanish, French, Portuguese, German, Simplified chinese
Day & Night	Auto
Min.Illumination	0.00004 lux@F1.6 (Sens-up On/Off (x512))
BLC	BLC / HSBLC / Off
Auto Gain Control	Low / Medium / High / Manual / Off
White Balance	AWC / Manual / Indoor / Outdoor / ATW
Electronic Shutter	Auto (1/60 ~ 1/120,000 sec) / Manual / A.FLK
Sens-up	Auto / Off
Motion Detection	On / Off
Digital Image Stabilizer	On / Off
Digital Noise Reduction	3D-DNR / SNR
Super Dynamic Range	On / Off
Privacy Masking	On / Off (8 ZONE)
Alarm Input/Output	8 / 2 (Output : Alternative selection with Aux. Output)
Pan Range & Speed	0° ~ 360° (Endless), 0.025°/sec ~ 120°/sec
Tilt Range & Speed	-90° ~ 40°, 0.025°/sec ~ 40°/sec
Preset Accuracy / Repeatability	Max. ±0.1° / Max. ±0.05°
Preset & Speed	Max. 319 Point / Max. 120°/sec(Pan), Max. 40°/sec(Tilt)
Stall Detection	±1.5°
Scan / Group / Pattern	8 / 6 / 4
Power Source	AC 24V ±10%, DC 24V ±10%
Power Consumption	25W (Heater Off), Max 100W (Heater On)
Operating Temperature	-40°C ~ 55°C (-40°F ~ 131°F)
Operating Humidity	Up to 90%RH
Storage Temperature	-50°C ~ 80°C (-58°F ~ 176°F)
Fan & Heater	Built-in Fan / Heater / Defrost Heater
IP Rating	IP 66
Color (Select option)	Ivory
Unit Weight	11 kg
Load weight	Max. 7 kg
Dimension (mm)	(W)219 x (H)499.05 x (D) 536
Certificate	FCC(Class A), CE(Class A), KC
Material	Aluminum die-casting

Dimension

Unit:mm



Accessories

(Optional)



ポール型台座
CXP-10PM



近赤外光照明
PI-2000



中央電子システム株式会社
東京都稲城市矢野口1385-1
TEL042-378-1240/FAX042-377-2784
<http://www.cesinc.co.jp>